

**MICRO SWITCH**  
a Honeywell Division

FED. MFG. CODE 91929

**MAGNET**

CATALOG LISTING  
**106MG10-BP**

CATALOG LISTING  
**106MG10-BP**  
PAGE 1 OF 1  
REPLACES  
RELEASE NO. PR-7502

**M**

ISSUE  
**4**

REVISIONS

A	CO-81006
	G J W
	29 MAY 96

CHECK

CHECK

CHECK

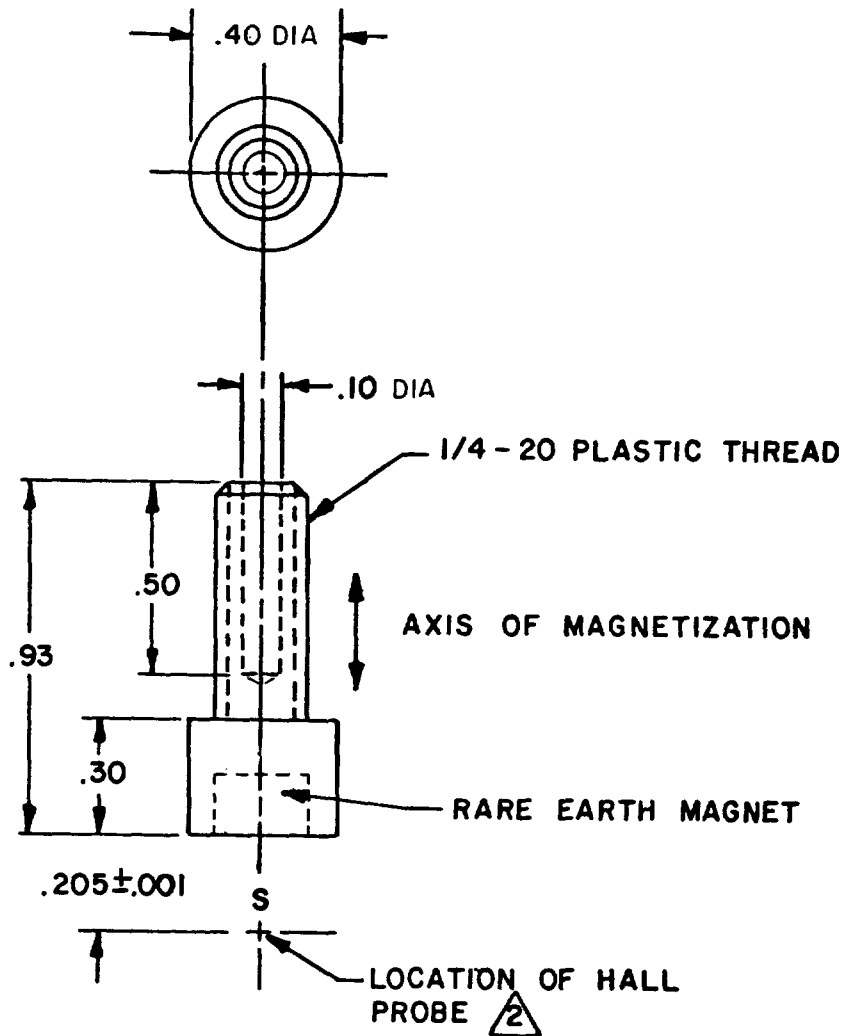
CHECK

CHECK

CHECK

CHECK

CHECK

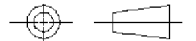


**NOTES**

- THE MAGNET IS RARE EARTH COBALT MAGNETIZED AND CONDITIONED FOR OPERATION
- READING IN GAUSS WITH F.W. BELL 620 GAUSSMETER AND PROBE STJ4-0402 AT .205±.001 INCHES FROM SOUTH POLE AT TEMPERATURE OF 24°±2°C SHALL BE 310 GAUSS MINIMUM
- FURNISHED BULK PACKED

THIS DRAWING COVERS A PROPRIETARY ITEM AND IS THE PROPERTY OF MICRO SWITCH, A DIVISION OF HONEYWELL. THIS DRAWING IS NOT TO BE COPIED OR USED WITHOUT THE APPROVAL OF MICRO SWITCH.

THIRD ANGLE PROJECTION



CHARACTERISTICS

ELECTRICAL DATA

SCALE 2:1

DO NOT SCALE PRINT

CONTACT ARRANGEMENT

UNLESS OTHERWISE SPECIFIED TOLERANCES ARE

ONE PLACE (.0) ±.030

TWO PLACE (.00) ±.015

THREE PLACE (.000) ±.005

ANGLES ±

WEIGHT

FORMTEK

DRAWN

29 MAY 96

GJW